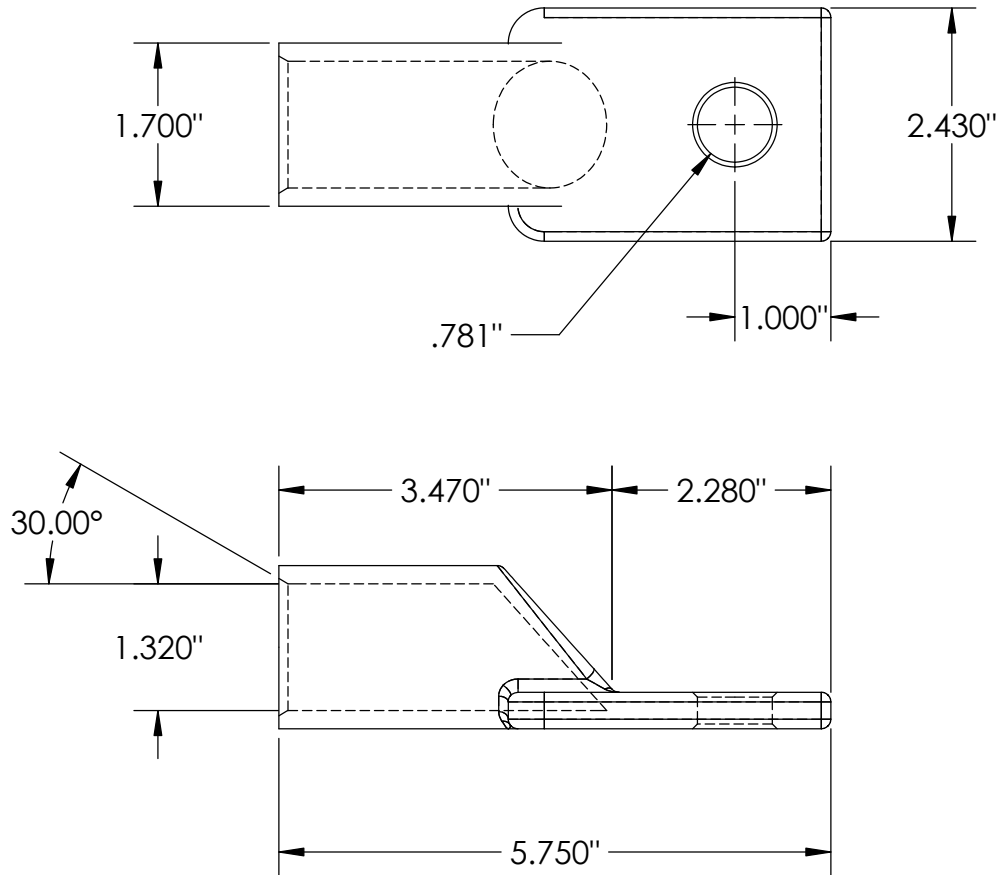


HEAVY WALL COMPRESSION LUG TERMINAL



PART NUMBER: 171320

MATERIAL: 1/8 HARD DLP COPPER TUBING

CAPACITY: 1000 MCM CONDUCTOR

FINISH: TIN PLATED

PERFORMANCE: UL 486 & NEMA 500 CYCLE STANDARDS

Standard Package: 30 Units : 49 Lbs. : 11" x 7" x 7" Box