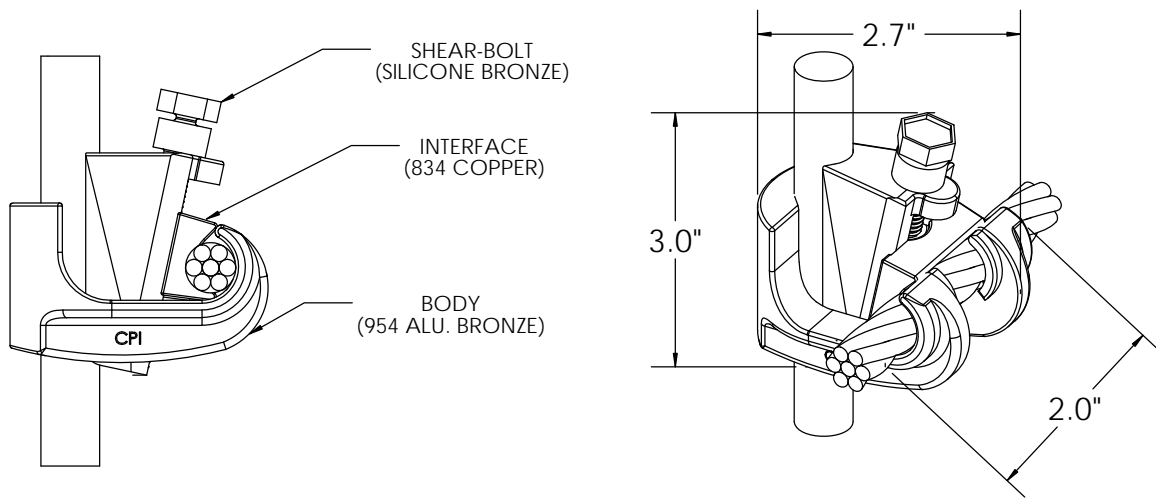


4/0 SERIES GROUND GRID CONNECTORS



Conductor Range		Catalog #
From	To	
350 MCM (.681") - 3/4" ROD (.680") 300 MCM (.630") 250 MCM (.575")	250 MCM (.575") - 5/8" ROD (.556") 4/0 STR (.522") 250 MCM (.575")	900100
250 MCM (.575") - 4/0 STR (.522") 250 MCM (.575")	250 MCM (.575") - 5/8" ROD (.556") 4/0 STR (.522") 1/2" ROD (.472")	
250 MCM (.575") - 5/8" ROD (.556") 4/0 STR (.522") 1/2" ROD (.472")	2/0 MCM (.419") - 1/0 STR (.368") 2/0 STR (.368")	900102
2/0 STR (.419") - 1/0 STR (.368")	2/0 STR (.419") - 1/0 STR (.368")	
5/8" ROD (.556") - 1/2" ROD (.472") 4/0 STR (.522")	#2 STR (.292")	900103
250 MCM (.575") - 4/0 STR (.522") #1 STR (.328")	#4 STR (.232") - #6 STR (.184") #1 STR (.328")	
#4 STR (.232") - #2 STR (.282")	#4 STR (.232") - #2 STR (.282")	900105

STANDARD PACKAGE: Full Carton: 40 Units: 11" x 11" x 7" Box: 49 Lbs.