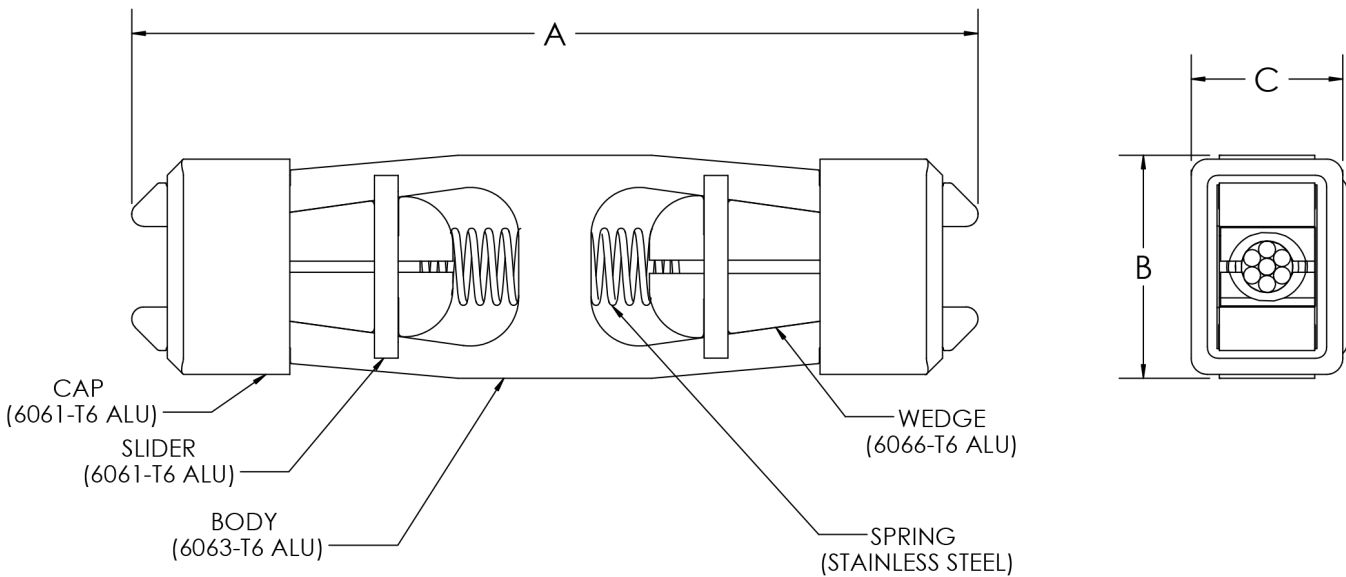


# JAWS SERIES AUTOMATIC SPLICE



Catalog #	Conductor Range		Dimensions		
	Description	Diameter	A	B	C
<b>S500</b>	#6AAC/ACSR/AAAC #4AAC/ACSR/AAAC	.184" - .257"	6.5"	1.75"	1.25"
<b>S750</b>	#4ACSR/AAC/AAAC #2AAC/ACSR/AAAC	.250" - .316"	6.5"	1.75"	1.25"
<b>S1000</b>	#2AAC/ACSR/AAAC 1/0AAC/ACSR/AAAC 2/0AAC	.292" - .414"	6.5"	1.75"	1.25"
<b>S2000</b>	3/0AAC/ACSR/AAAC 4/0AAC/ACSR/AAAC 266.8AAC	.464" - .586"	8.625"	2.437"	1.5"
<b>S3000</b>	266.8ACSR/AAAC 336.4AAC/ACSR 18/1AAC 397.5AAC/ACSR 18/1	.609" - .743"	12.375"	3.0"	1.937"
<b>S4000</b>	397.5 ACSR 18/1 477 ACSR 26/7 556.5 AAC	.743" - .858"	11"	3.0"	1.75"

Standard Package			
Part #	Quantity.	Dimension	Weight lbs.
S500, S750, S1000	50	11"x11"x7"	32
S2000	20	11"x11"x7"	32
S3000	15	14"x9"x9"	52
S4000	12	11"x11"x7"	38