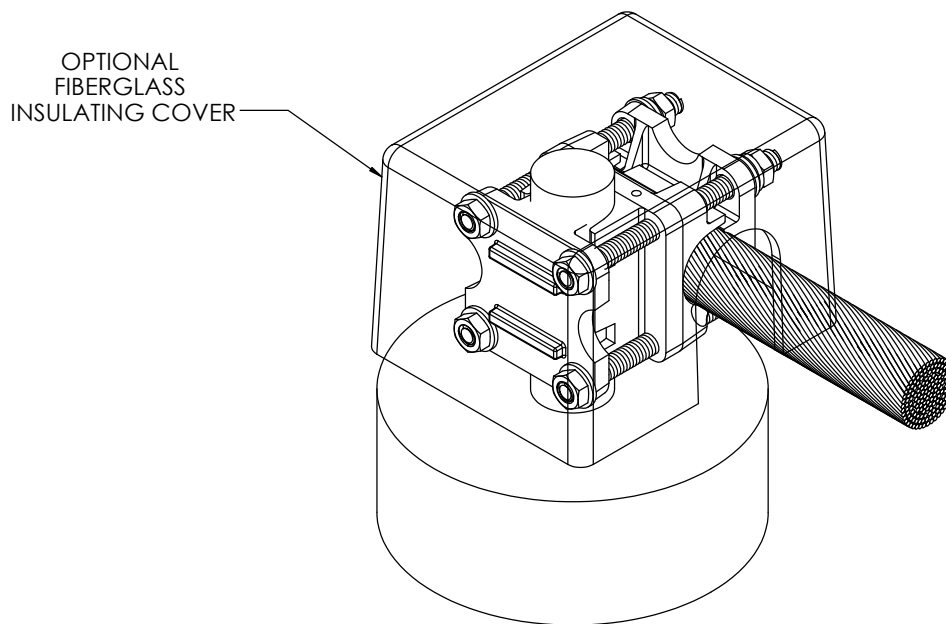
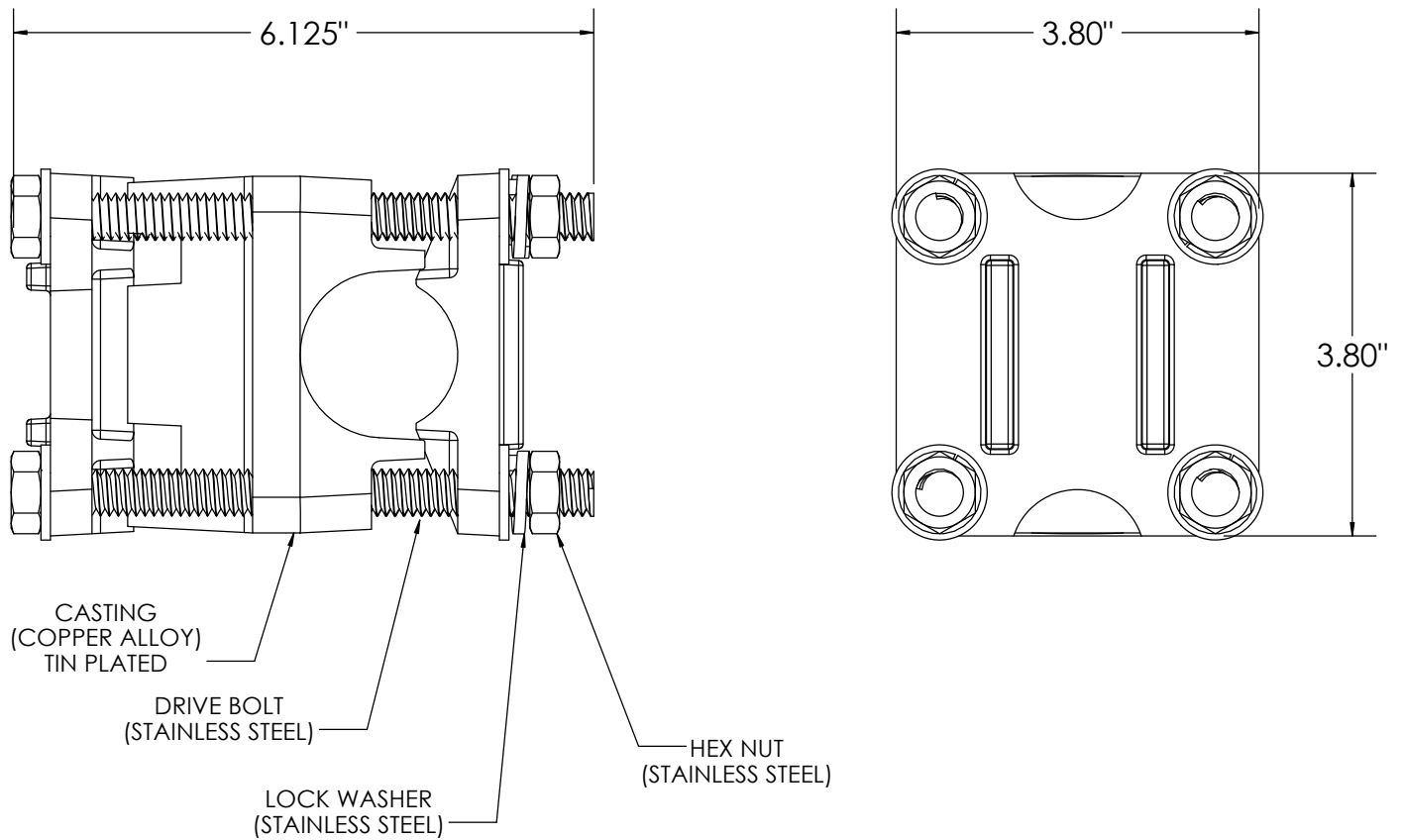


CATHODE "POT HEAD" CONNECTOR



Ordering Information	
Conductor Size	Catalog #
2000 MCM	22000