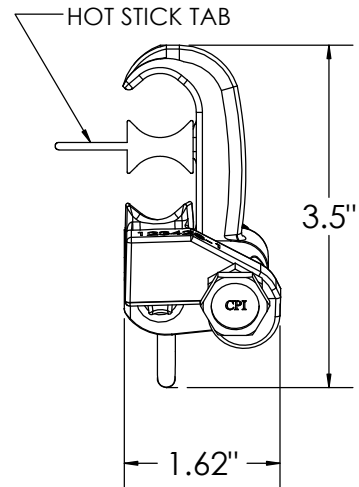
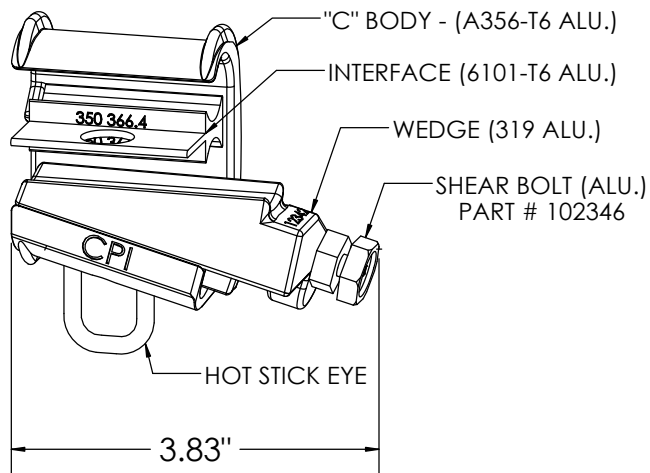


# 350 SERIES TAP CONNECTORS



Main Conductor		Tap Conductor		Catalog #
Description	Dia. Range	Description	Dia. Range	
266.8 ACSR 300 MCM 336.4 AAC 336.4 ACSR 18/1 350 MCM	.609" - .684"	#6, #4 AAC	.162" - .232"	<b>350117</b>
		#4	.232" - .257"	<b>350118</b>
		#2, #1 AAC	.292" - .328"	<b>350119</b>
		#1, 1/0 AAC	.328" - .368"	<b>350120</b>
		1/0 ACSR, 2/0	.398" - .447"	<b>350121</b>
		2/0 ACSR, 3/0	.447" - .502"	<b>350122</b>
		4/0, 250	.522" - .574"	<b>350123</b>
		266.8 -19 AAC, 300 AAC, 266.8 ACSR	.592" - .642"	<b>350124</b>
		300 ACSR 26/7, 350, 336.4 18/1	.665" - .684"	<b>350125</b>

**STANDARD PACKAGE:** Full Carton: 75 Units: 11" x 11" x 11.5" Box: 38 Lbs. Half Carton: 50 Units: 11" x 11" x 7" Box: 25 Lbs.