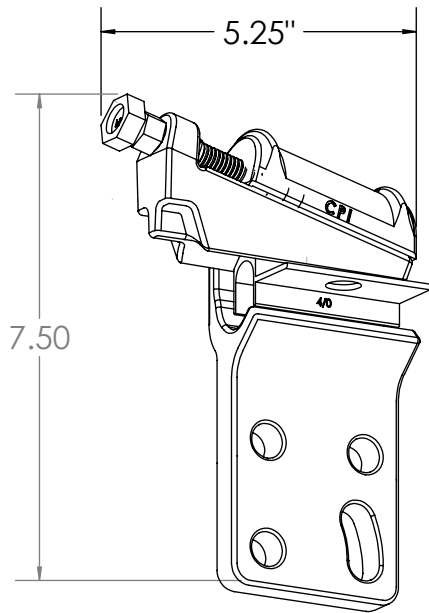
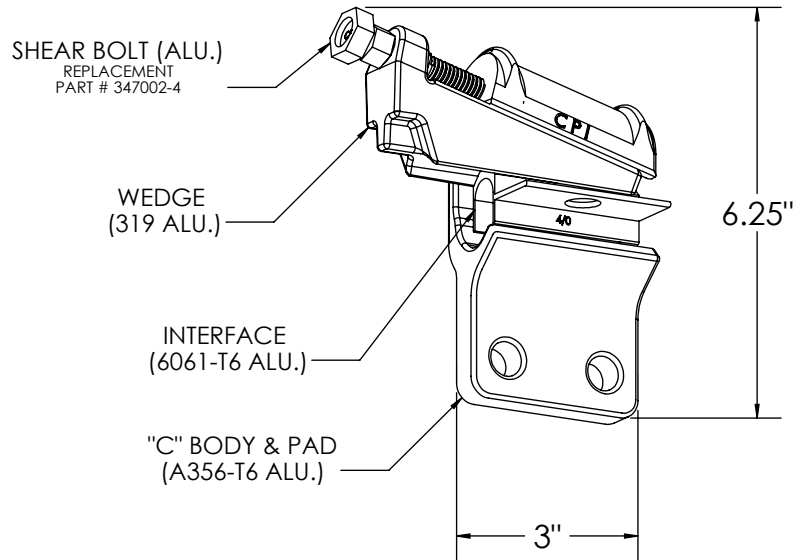


T2 PAD TAP SERIES CONNECTORS

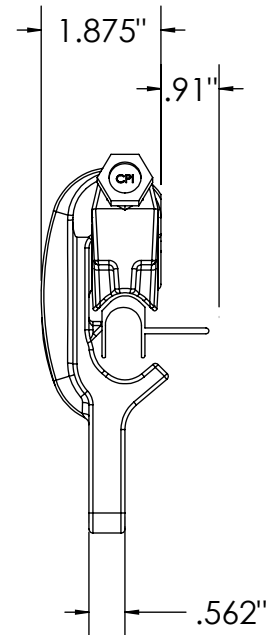


4 HOLE PAD



2 HOLE PAD

Main Conductor			Pad Size	Catalog #
Description	Min	Max		
#4 T2 AAC - #4 T2 ACSR	.232" x .464"	.250" x .500"	4 Hole	723210 T2
			2 Hole	723210-1 T2
#2 T2 AAC - #2 T2 ACSR	.292" x .584"	.316" x .631"	4 Hole	723211 T2
			2 Hole	723211-1 T2
1/0 T2 AAC - 1/0 T2 ACSR	.368" x .737"	.398" x .796"	4 Hole	723212 T2
			2 Hole	723212-1 T2
2/0 T2 AAC - 2/0 T2 ACSR	.414" x .827"	.447" x .894"	4 Hole	723213 T2
			2 Hole	723213-1 T2
3/0 T2 AAC - 3/0 T2 ACSR	.464" x .929"	.502" x 1.003"	4 Hole	723214 T2
			2 Hole	723214-1 T2
4/0 T2 AAC - 4/0 T2 ACSR	.522" x 1.043"	.563" x 1.127"	4 Hole	723215 T2
			2 Hole	723215-1 T2



T2 or Twisted Pair (TP) conductors are used for overhead distribution and transmission lines which are subject to wind-induced motion damage. TP conductor is composed of two identical bare conductors twisted together with a left-hand lay. This gives the cable a rectangular spiral shape. The spiral shape disrupts the forces created by steady cross winds which cause cable vibration, by presenting a continuously changing projected cable diameter to the wind. This spiral shape, together with less torsional stiffness and varying bending stiffness also reduces or eliminates cable galloping due to combined ice and wind loads.

Standard Package		
Qty	4 Hole	2 Hole
20	37 Lbs	34 Lbs
10	19 Lbs	16 Lbs