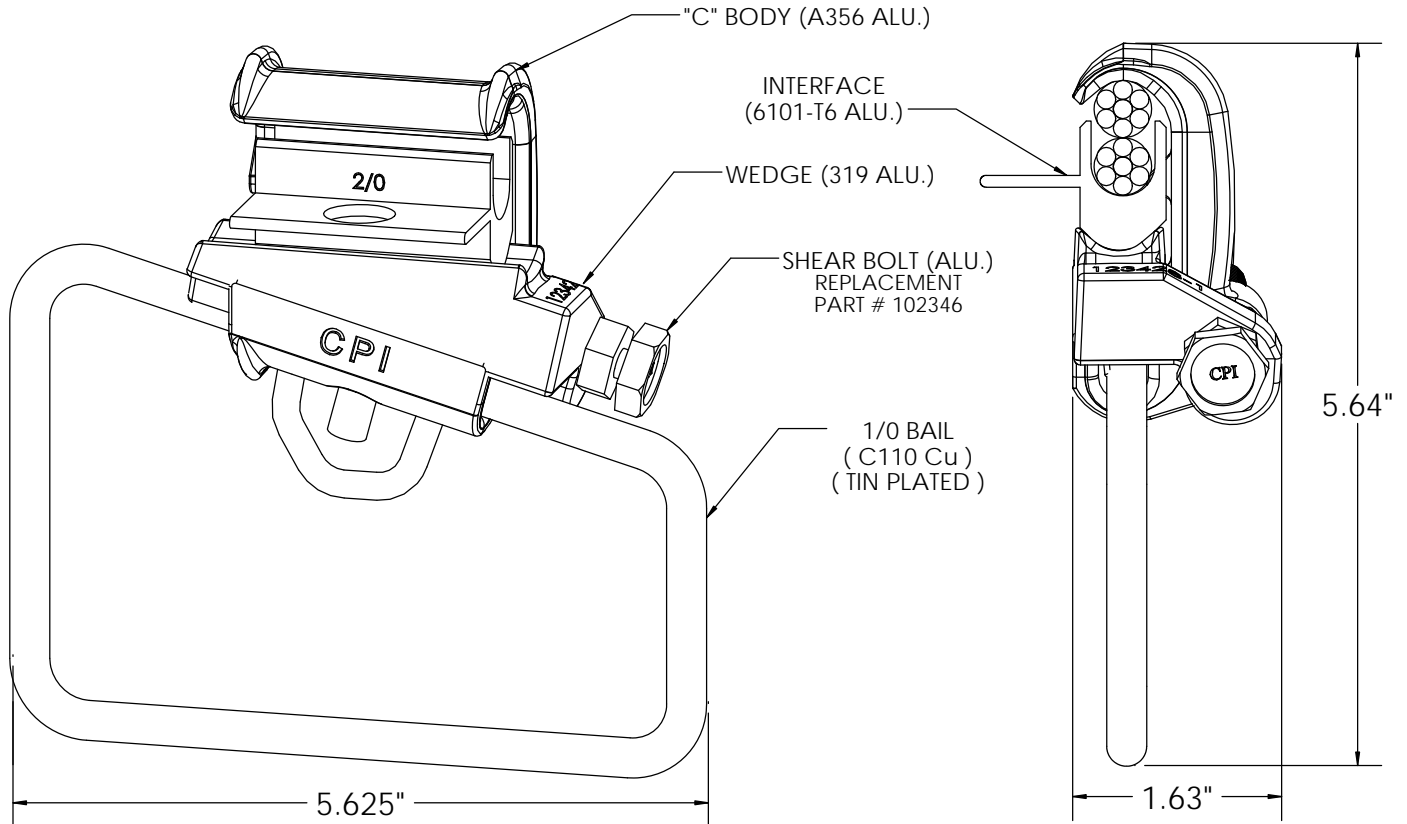


T2 SERIES STIRRUP CONNECTORS



Main Conductor			Bail Size	Catalog #
Description	Min	Max		
#4 AAC - #4 ACSR	.232" x .464"	.250" x .500"	1/0	102011 T2
#2 AAC - #2 ACSR	.292" x .584"	.316" x .631"	1/0	102012 T2
1/0 AAC - 1/0 ACSR	.368" x .737"	.398" x .796"	1/0	102010 T2
2/0 AAC - 2/0 ACSR	.414" x .827"	.447" x .894"	1/0	102009 T2
3/0 AAC - 3/0 ACSR	.464" x .929"	.502" x 1.003"	1/0	264123 T2
4/0 AAC - 4/0 ACSR	.522" x 1.043"	.563" x 1.127"	1/0	264124 T2

T2 or Twisted Pair (TP) conductors are used for overhead distribution and transmission lines which are subject to wind-induced motion damage. TP conductor is composed of two identical bare conductors twisted together with a left-hand lay. This gives the cable a rectangular spiral shape. The spiral shape disrupts the forces created by steady cross winds which cause cable vibration, by presenting a continuously changing projected cable diameter to the wind. This spiral shape, together with less torsional stiffness and varying bending stiffness also reduces or eliminates cable galloping due to combined ice and wind loads.

STANDARD PACKAGE: Full Carton: 25 Units: 11" x 11" x 7" Box: 25 Lbs.